



Aboveground Systems Parts

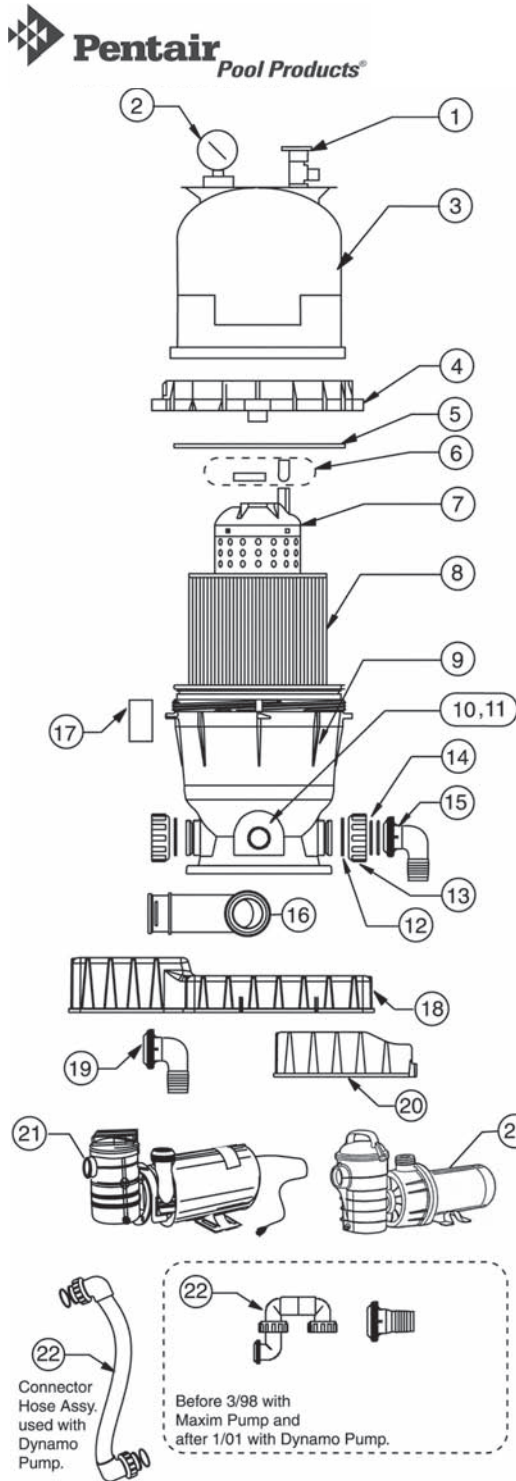


Replacement Parts for Aboveground Systems



Clean & Clear® / Predator™ Filter Systems

Replacement Parts



- ¹ Used on filters manufactured before 6/96.
- ² Used on filters manufactured after 6/96.
- ³ Used on filters manufactured after 3/98.
- ⁴ Used on filters manufactured before 11/98.
- ⁵ Used on filters manufactured after 11/98.
- ⁶ Used on filters manufactured before 3/98 with the Maxim® Pump and after 1/01 with the Dynamo® Pump.

Item No.	Part No.	Description	US List	Can. List
CLEAN & CLEAR / PREDATOR FILTER SYSTEMS				
1	98209800	High Flow™ manual air relief valve (HFMARV)	21.17	25.00
2	190058	Gauge, pressure	30.25	35.69
3	178553	Lid 50, 100 sq. ft., almond	112.67	132.94
3	178561	Lid, 75/150/200 sq. ft., almond	105.06	123.97
4	59052900	Locking ring assy.	69.14	81.58
5	87300400	Body O-ring	6.81	8.03
6	59016200	Air bleed sock kit	9.25	10.92
7	59053500	Center core 50 sq. ft.	81.94	96.67
7	59053600	Center core 75 sq. ft.	82.58	97.47
7	59053700	Center core 100 sq. ft.	96.28	113.61
7	59053800	Center core 150/200 sq. ft.	147.56	174.11
8	R173213	Cartridge element 50 sq. ft.	73.22	86.39
8	R173214	Cartridge element 75 sq. ft.	94.86	111.94
8	R173215	Cartridge element 100 sq. ft.	116.36	137.33
8	R173216	Cartridge element 150 sq. ft.	153.33	180.92
8	R173217	Cartridge element 200 sq. ft.	191.36	225.81
9	178562	Bottom 50 sq. ft., almond	198.83	234.64
9	178554	Bottom 75 sq. ft., almond	197.64	233.22
9	178563	Bottom 100 sq. ft., almond	253.42	299.03
9	178560	Bottom 150/200 sq. ft., almond	247.42	291.94
10	51516200	Drain cap ⁴	17.31	20.42
10	86202000	Plug 1½ in. drain, w/ O-ring ⁵	13.42	15.83
11	86300500	Drain cap gasket ⁴	3.83	4.53
11	51005000	O-ring, drain cap ⁵	4.86	5.75
12	39104500	Union nut "C" clip	1.33	1.56
13	98212200	Union nut	7.64	9.03
14	071426	O-ring, union	1.14	1.33
15	39107400	Fitting elbow outlet connector ³	13.83	16.33
16	170037	Fitting elbow pump connector ³	20.56	24.25
17	51516100	Check valve kit	28.03	33.06
18	170058	Base assy.	38.47	45.42
19	79304700	Outlet connector w/chlorinator attachment	14.53	17.14
20	178541	Chlorinator base	24.14	28.50
20	98200700	Bolt	2.64	3.11
20	155109	T-nut	0.22	0.25
21	OptiFlo® Pump, page 550 , or Maxim® Pump, page 552, or Dynamo® Pump, page 551.			
22	59019900	Pump/filter connector, Maxim® ¹	CALL	CALL
22	59018700	Pump connector ²	142.50	168.14
22	175015	Pump/filter connector, Dynamo® ⁶	90.61	106.92
22	170046	Pump/filter connector, OptiFlo®	90.42	106.69

Product on pages 2.

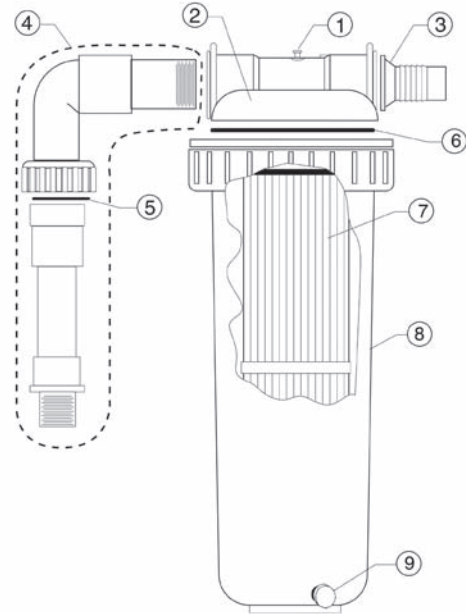
Predator™ II Mini-Cellular Media Filter System



Replacement Parts



Item No.	Part No.	Description	US List	Can. List
PREDATOR II FILTER SYSTEM				
1	R172224X	Air relief valve	4.14	4.89
2	R172213XT	Lid	17.86	21.08
3	510166	Hose adapter	1.33	1.58
4	59019800	Pump connector	59.28	69.97
5	071426	O-ring	1.14	1.33
6	R172223	O-ring	4.14	4.89
7	R172327	Cartridge	21.78	25.67
8	R172212X	Body	27.81	32.81
9	154481	Drain plug	1.17	1.39
NOT SHOWN				
	R172214	Lock ring	12.33	14.56
	98105700	Base assy.	CALL	CALL



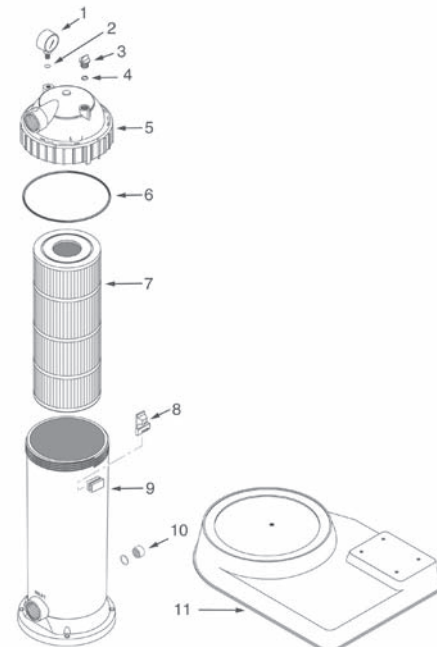
Product on page 3.

PRC Aboveground Filter System

Replacement Parts for Models PRC50, PRC75



Item No.	Part No.	Description	US List	Can. List
PRC FILTER SYSTEMS				
1	15060-0000T	Pressure Gauge	32.56	38.42
2	WC8-72D	Screen Filter	2.06	2.42
3	25010-0004	Air Relief Valve	2.89	3.42
4	U9-359	O-Ring	CALL	CALL
5	25200-0103S	Tank Lid Assembly	86.89	102.53
6	25200-0011S	Tank Lid O-Ring with Silicon Tube	27.47	32.42
7	25200-0150S	Filter Cartridge	73.81	87.11
7	25200-175S	Filter Cartridge	CALL	CALL
8	25200-0007	Safety Catch	CALL	CALL
9	25200-0101	Filter Tank	CALL	CALL
9	25200-0102	Filter Tank	CALL	CALL
10	32185-7074	Drain Cap Assembly with Washer	4.44	5.25
11	25200-0010	Platform Base	78.28	92.36
NOT SHOWN				
	32155-4139	Operating Instruction Decal	7.47	8.81

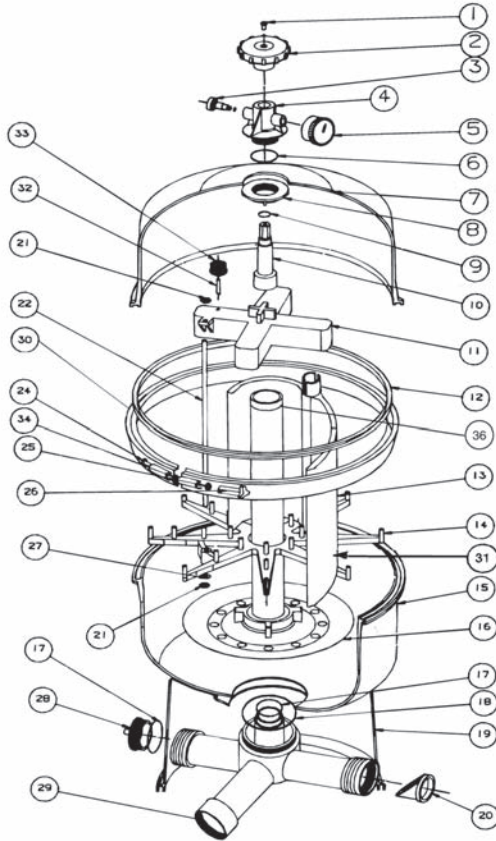


Product on page 4.



Star™ Polymeric Filter Systems

Replacement Parts



Aboveground System Parts - D. E.

Item No.	Part No.	Description	US List	Can. List
STAR FILTERS				
1	552472	Screw - flathead #12 x 1 in.	0.94	1.09
2	191472	Knob - engagement shaft	14.11	16.02
3	272515	Air bleeder w/o-ring	7.06	8.01
4	191475	Adapter - tank top	26.92	30.55
5	190059	Gauge - back mount pressure	30.25	34.32
6	155564	O-ring 47mm x 4mm	8.83	10.00
7	191954	Top with knob - tank ST35	146.31	166.05
7	191500	Top with knob - tank ST40/50 black	192.03	217.94
7	191509	Top with knob - tank ST80 black	280.72	318.57
8	191478	Nut- 17/8 in. - 8 in. buttress	6.92	8.17
9	191479	O-ring 7/8 in. x 1 1/8 in. x 1/8 in.	0.92	1.08
10	191955	Shaft - engagement ST35	15.69	18.53
10	191480	Shaft - engagement ST40/50	CALL	CALL
11	191950	Manifold assy.	86.17	101.69
12	174704	O-ring - tank	16.42	19.39
13	191321	Grid - ST35 13 1/8 in., 4 req.	26.69	31.50
13	191322	Grid - ST40/50 19 3/4 in., 4 req.	36.14	42.64
13	191510	Grid - ST80 26 1/4 in., 4 req.	44.58	52.61
14	191467	Retainer - grid btm.	40.53	47.83

Item No.	Part No.	Description	US List	Can. List
15	191422	Btm. - tank ST40/50 tan	132.97	156.89
15	191503	Btm. - tank ST35 tan	132.97	156.89
15	750009	Btm. - tank ST40/50 black	132.97	156.89
15	191511	Btm. - tank ST80 black	139.47	164.58
16	191942	Pipe-center w/diffuser ST35 w/o-ring	108.72	128.28
16	191483	Pipe-center w/diffuser ST40/50 w/o-ring	88.92	104.92
16	191512	Pipe - center with diffuser ST80 w/o-ring	51.06	60.25
17	191474	O-ring 1 1/4 in. x 2 in. x 1/8 in., 2 req.	0.67	0.78
18	191424	O-ring 3 1/2 in. x 3 7/8 in. x 3/16 in.	5.19	6.14
19	191423	Foot - tank	45.64	53.86
20	191437	Check valve assy.	39.81	46.97
21	98211400	Nut - hex 1/4 - 20 serrated s/s, 4 req.	1.78	2.11
22	191948	Rod - 1/4 in. x 15 in. s/s ST35, 2 req.	16.42	19.39
22	191430	Rod - 1/4 in. x 21 1/2 in. s/s ST40/50, 2 req.	17.06	20.11
22	191513	Rod - 1/4 in. x 28 in. ST80	21.33	25.17
24	152060	Bolt - 5/16 in. - 18 x 4 1/4 in. carriage	7.53	8.89
25	072173	Washer - flat 5/16 in. s/s	1.25	1.47
26	174882	Knob - band assy.	24.75	29.22
27	072172	Washer - lock 1/4 in. s/s, 2 req.	0.17	0.22
29	191469	Piping - btm. w/check valve order with locknut (191505)	140.39	165.67
33	191329	Strainer - air relief	8.67	10.22
34	175020	Ring - retaining carriage bolt	4.53	5.36
36	191517	Center Pipe O-Ring	1.14	1.33

NOT SHOWN

191495	Wrench - Star center piping	803.50	948.11
--------	-----------------------------	--------	--------

SYSTEM REPLACEMENT PARTS

191507	Filter-ST50w/o foot	738.44	871.36
191521	Filter-ST80 w/o foot	CALL	CALL
750016	Piping assy. Star systems (includes: piping, parts, & O-rings)	76.42	90.17
750014	Base D.E. system for ST35 & ST50 & ST80	156.81	185.03
155109	Nut 4 prong, 2 req.	0.22	0.25
354265	Screw, 2 req.	1.50	1.78
155151	Hose, 1 1/2 in. x 6 ft., filter/pump to pool	72.50	85.56
155005	Hose, 1 1/2 in. x 12 ft., filter/pump to pool	94.78	111.83

¹ Item 31, Grid assy./complete, consists of items 11, 13, 14, 21, 22, 27.

² Item 30, P/N 174880 Band assy./complete, consists of items 23, 24, 25, 26, 34.

Product on page 14.

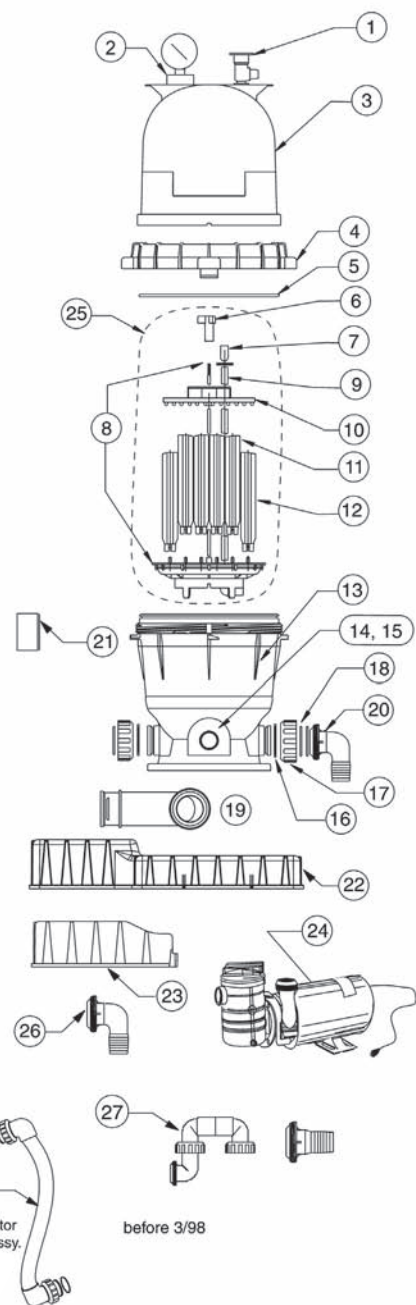
Warrior® Filter Systems



Replacement Parts



Item No.	Part No.	Description	US List	Can. List
WARRIOR FILTER SYSTEMS				
1	98209800	High Flow manual air relief valve (HFMARV)	21.17	25.00
2	190058	Gauge, pressure	30.25	35.69
3	190041	Lid, 44/88 GPM filter, almond	102.89	121.42
3	190042	Lid, 66 GPM filter, almond	96.36	113.69
4	59052900	Locking ring	69.14	81.58
5	87300400	Body O-ring	6.81	8.03
6	39302700	Tie rod knob	10.28	12.14
7	59016200	Air bleed sock kit	9.25	10.92
8	59022500	Tie rod / manifold assy., 44 GPM filter	51.03	60.22
8	59022501	Tie rod / manifold assy., 66 GPM filter	65.50	77.28
9	59011200	Air bleed tube, 44 GPM Filter	27.58	32.53
9	59011300	Air bleed tube, 66 GPM Filter	28.75	33.92
10	59023000	Top grid support	29.69	35.06
11	59009600	Lg. grid assy., 44 GPM filter	25.08	29.61
11	59009700	Lg. grid assy., 66 GPM filter	25.08	29.61
12	59005200	Sm. grid assy., 44 GPM filter	25.08	29.61
12	59005300	Sm. grid assy., 66/88 GPM filter	25.08	29.61
13	178562	Bottom, 44 GPM filter, almond	198.83	234.64
13	178563	Bottom, 66 GPM filter, almond	253.42	299.03
14	51516200	Drain cap ³	17.31	20.42
14	86202000	Plug 1½ in. drain, w/O-ring ⁴	13.42	15.83
15	86300500	Drain cap gasket ³	3.83	4.53
15	51005000	O-ring, drain cap ⁴	4.86	5.75
16	39104500	Union nut "C" clip	1.33	1.56
17	98212200	Nut, union	7.64	9.03
18	071426	O-ring, union	1.14	1.33
19	170037	Fitting elbow pump connector ¹	20.56	24.25
20	39107400	Fitting elbow outlet connector ¹	13.83	16.33
21	51516100	Check valve kit	28.03	33.06
22	170058	Base assy. ¹	38.47	45.42
23	178541	Chlorinator base	24.14	28.50
24	OptiFlo® Pump, page 550, Dynamo® Pump, page 551			
25	59005800	Grid pack assy., 44 GPM	143.69	169.56
25	59005900	Grid pack assy., 66 GPM	178.42	210.53
26	79304700	Outlet connector w/chlorinator attachment	14.53	17.14
26	98200700	Bolt	2.64	3.11
26	155109	T-nut	0.22	0.25
27	59018700	Pump/filter connector, Maxim® ²	142.50	168.14
27	175015	Pump/filter connector, Dynamo® ⁵	90.61	106.92
27	170046	Pump/filter connector, OptiFlo®	90.42	106.69



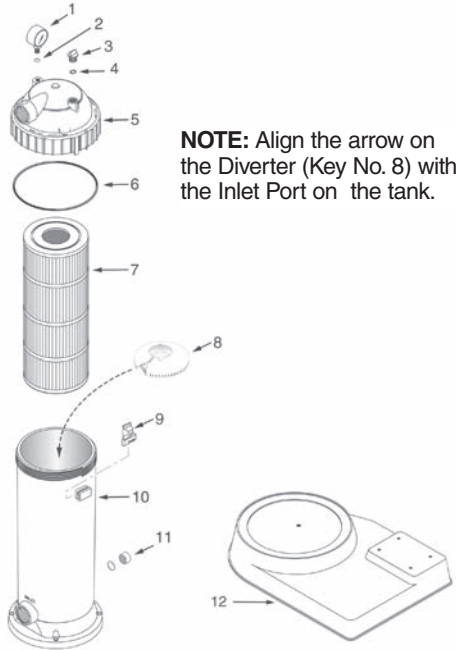
Product on page 15.

¹ Used on filters manufactured after 3/98.
² Used on filters manufactured before 3/98.
³ Used on filters manufactured before 11/98.
⁴ Used on filters manufactured after 11/98.
⁵ Used on filters manufactured with the Dynamo® Pump.



PRD Filter Systems

Replacement Parts

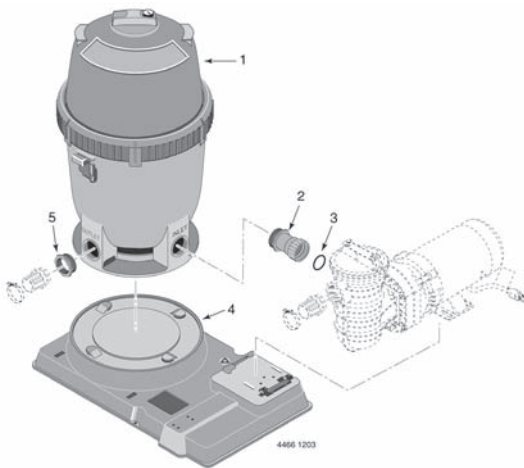


Product on pages 12 - 13.

Item No.	Part No.	Description	US List	Can. List
PRD FILTER SYSTEMS				
1	15060-0000T	Pressure gauge	32.56	38.42
2	WC8-72D	Screen filter	2.06	2.42
3	25010-0004	Air relief valve	2.89	3.42
4	U9-359	O-Ring	CALL	CALL
5	25200-0103S	Tank lid assembly (includes Key No. 6)	86.89	102.53
6	25200-0011S	Tank lid O-ring with silicone lube	27.47	32.42
7	25200-0140S	Filter module	113.89	134.39
7	25200-0160S	Filter module	136.11	160.61
8	25200-0012	Diverter	CALL	CALL
9	25200-0007	Safety catch	CALL	CALL
10	25200-0001S	Filter tank	142.17	167.78
10	25200-0002S	Filter tank	165.89	195.75
11	32185-7074	Drain cap assembly with washer	4.44	5.25
12	32155-4139	Platform Base	7.47	8.81

PLM Filter Systems

Replacement Parts



Product on pages 8 - 9.

Item No.	Part No.	Description	US List	Can. List
PLM FILTER SYSTEMS				
1	PLM100	PLM100 Filter Tank Assembly ¹	CALL	CALL
1	PLM150	PLM150 Filter Tank Assembly ¹	CALL	CALL
1	PLD50	PLD50 Filter Tank Assembly ¹	CALL	CALL
2	27001-0120	Union Half Assembly ²	26.14	30.86
3	U9-226	O-Ring	1.58	1.86
4	27001-0031	Platform Base	103.56	122.19
5	U78-820P	2" NPT x 1 1/2" NPT Reducer Brushing	9.00	10.64
NOT SHOWN				
	155153	Hose Assembly 1 1/2" x 6' (-03 Models only)	21.22	25.03

¹ See Page 376 for repair parts breakdown.

² Includes O-Ring, Key No. 3 and Reducer Bushing, Key No. 8.

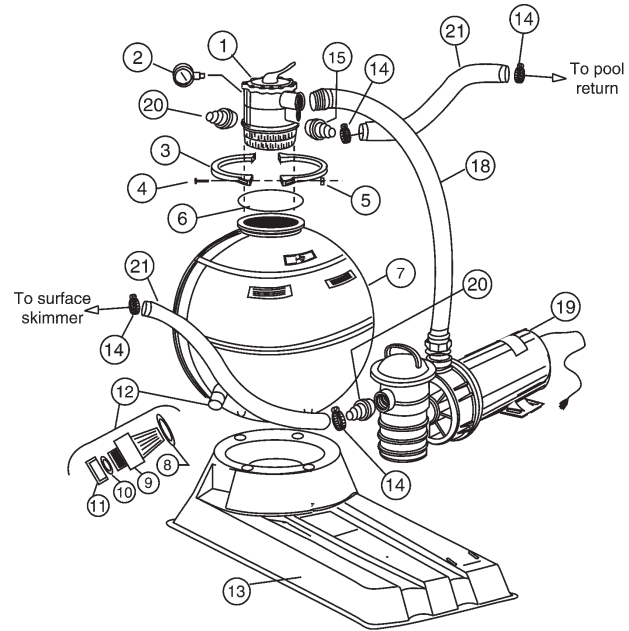
Meteor® Filter Systems



Replacement Parts



Item No.	Part No.	Description	US List	Can. List
METEOR FILTER SYSTEMS				
1	262506	MPV, 6-pos., 18, 20, 22 in. filter, 1½ in. port ⁶	CALL	CALL
1	50118100	MPV, 8-pos., 18, 20 in. filter, 1½ in. port ⁴	157.36	185.67
1	50118200	MPV, 8-pos., 22, in. filter, 1½ in. port ⁴	157.36	185.67
2	190059	Gauge, pressure, rear connection	30.25	35.69
3	51020900	Clamp, multiport valve ³	37.31	44.03
3	152165	Clamp Assy (includes Nuts & Screws) ⁵	17.22	20.33
4	98209000	Screw, clamp	1.42	1.67
5	98211400	Nut, clamp	1.78	2.11
6	51011900	O-ring, MPV, 22 in. filter ¹	6.11	7.22
6	51021700	MPV gasket, 18, 20 & 22 in. filters ²	13.44	15.86
7	58812120	Tank assy., 18 in. filter, black ⁵	364.42	430.03
7	58812130	Tank assy., 20 in. filter, black ⁵	526.00	620.67
7	58812140	Tank assy., 22 in. filter, black ⁵	457.33	539.64
7	155656	Replacement Tank 20 ⁵	246.22	290.53
7	155657	Replacement Tank 22 ⁶	259.53	306.25
7	155655	Replacement Tank 18 ⁶	184.14	217.31
8	51005000	O-ring, drain/insp. fittings	4.86	5.75
9	86300300	Fitting, drain sand/water	7.61	8.97
9	154711	Sand Drain ⁵	12.53	14.78
10	86300500	Gasket, drain cap	3.83	4.53
10	154715	Drain Gasket	4.25	5.03
11	86300400	Cap, drain	3.83	4.53
11	154712	Drain cap	22.06	26.03
12	55007800	Drain assy., complete	17.28	20.36
12	150055	Drain assy. ⁵	38.36	45.25
13	152901	Base (18in., 20in., 22in.) ⁵	88.03	103.89
14	711004	Clamp, 1½ in. worm hose	4.42	5.22
15	86201900	Elbow Hose Adapter, 1½ in.	9.69	11.44
18	79302100	Hose assy., 18 in. filter	62.22	73.42
18	79302200	Hose assy., 20 in. filter	67.31	79.42
18	79302300	Hose assy., 22 in. filter	68.61	80.97
18	155662	18" Quick connect hose ⁵	CALL	CALL
18	155663	20" Quick connect hose ⁵	91.11	107.53
18	155664	22" Quick connect hose ⁵	94.78	111.83
18	86013000	Quick connect hose assy., 18 in. filter	61.17	72.17
18	86013090	Quick connect hose assy., 20 in. filter	65.25	76.97
18	86013100	Quick connect hose assy., 22 in. filter	69.31	81.78
19	Dynamo® Pump, see page 551.			



Item No.	Part No.	Description	US List	Can. List
20	711006	Hose adapter 1½ in. × 1½ in. NPT	4.89	5.78
20	150046	Hose adapter 1½ in. NPT CHL conn.	6.72	7.94
21	155151	Hose, 1½ in. × 6 ft., filter/pump to pool	72.50	85.56
21	155005	Hose, 1½ in. × 12 ft., filter/pump to pool	94.78	111.83
NOT SHOWN				
	55025700	Lateral underdrain, 18, 20, 22 in. filters, 8 per filter	4.75	5.61
	55027500	Standpipe / lateral assy., 18 in. filter	65.11	76.83
	150084	Lateral, Long (18", 20") ⁵	4.97	5.86
	150085	Lateral, XLong (22") ⁶	6.22	7.33
	152223	Standpipe lateral assy. 18" ⁶	80.78	95.31
	152224	Standpipe lateral assy. 20" ⁶	96.92	114.39
	152225	Standpipe lateral assy. 22" ⁶	100.81	118.97
	55027600	Standpipe / lateral assy., 20 in. filter	65.11	76.83
	55027700	Standpipe / lateral assy., 22 in. filter	66.28	78.22
	155051	Funnel, sand guide	5.00	5.92
	85019300	Backwash adapter, 1½ in. NPT × brb.	10.58	12.47
	85019000	Backwash sight glass, 18 & 20 in. filter	15.00	17.69
	85019100	Backwash sight glass, 22 in filter	15.00	17.69

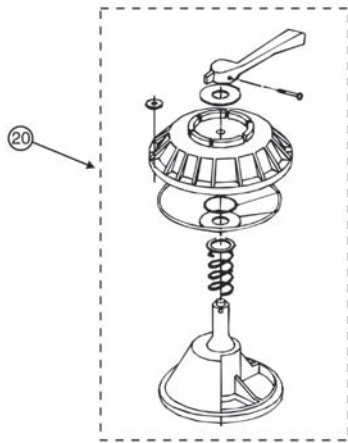
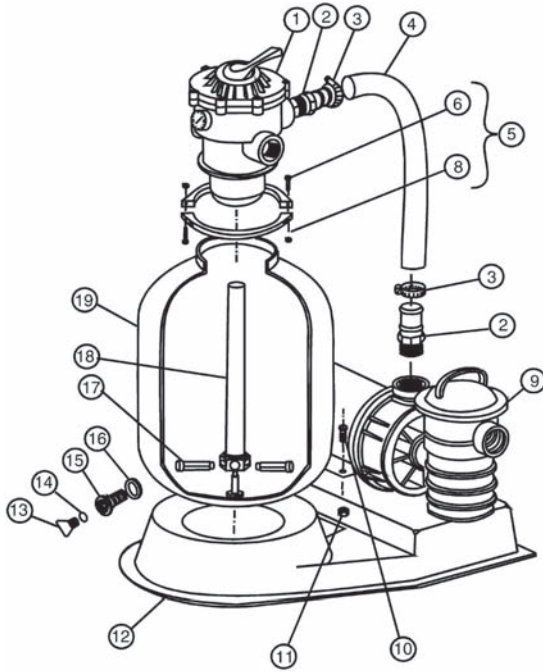
¹ Used on filters manufactured before 4-95.
² Used on filters manufactured after 4-95.
³ Used on filters manufactured after 12-15-95.
⁴ Used on filters manufactured before 4-2004.
⁵ Used on filters manufactured after 6-2004.
⁶ Used on filters manufactured after 10-2004.

Product on page 16.



Sand Dollar® Filter Systems

Replacement Parts



Product on page 17.

Item No.	Part No.	Description	US List	Can. List
SAND DOLLAR FILTER SYSTEMS				
1	262506	6 Way Valve assy.	CALL	CALL
2	711006	Adapter-1½ in. hose, 2 req.	4.89	5.78
2	150046	Adapter w/ chlorinator conn., 2 req.	6.72	7.94
3	711004	Clamp-hose, 3 req.	4.42	5.22
4	154893	Hose 18¾ in. clear/grey spiral, SD 35	31.39	37.03
4	154894	Hose 24½ in clear/grey spiral, SD 40	33.61	39.67
4	154895	Hose 28¾ in. clear/grey spiral, SD 60	35.14	41.47
5	152165	Clamp assy. - aboveground system ¹	17.22	20.33
6	152168	Screw #M6 × 1 pan hd. Phillips s/s, 2 req. ¹	1.58	1.86
8	152167	Nut #M6 s/s, 2 req. ¹	1.14	1.33
9	Dynamo® Pump, see page 551.			
10	354265	Screw-5/16 in.-18 hex washer hd., 2 req. ²	1.50	1.78
11	155109	Nut-T4 prong 5/16 in.-18, req. ²	0.22	0.25
12	152901	Base assy. ²	88.03	103.89
13	154699	Plug-drain ¼ in. NPT wing	4.86	5.75
14	192115	O-ring-drain plug (1/16 in. × ½ in. i.d.)	0.89	1.03
15	154710	Drain, sand 1 in.-5- ACME	7.36	8.67
15	150055	Drain Kit ⁴	38.36	45.25
16	154713	Gasket, sand drain ³	1.14	1.33
17	155007	Lateral-SD 35, 8 req.	5.06	5.97
17	152290	Lateral-SD 40 & 60, 8 req.	5.28	6.22
17	150084	Lateral-SD 35, SD 40 ⁴	4.97	5.86
17	150085	XLong Lateral SD 60 ⁴	6.22	7.33
18	155504	Assy.-SD 35 internal piping	35.92	42.39
18	155062	Assy.-SD 40 internal piping	33.36	39.36
18	155532	Assy.-SD 60 internal piping	87.03	102.67
19	145324	Tank w/stabilizer-SD 35 almond	305.89	342.19
19	145327	Tank w/stabilizer-SD 40 almond	311.64	348.61
19	145330	Tank w/stabilizer-SD 60 almond	417.25	466.75
20	272531	HiFlow 1½ in. top valve assy.	114.19	134.75
NOT SHOWN				
	155151	Hose, 1½ in. × 6 ft., filter/pump to pool	72.50	85.56
	155005	Hose, 1½ in. × 12 ft., filter/pump to pool	94.78	111.83
	154712	1-1/2" drain cap	22.06	26.03
	154715	O-Ring for 1-1/2" drain cap	4.25	5.03

¹ P/N 152165 (clamp assy.) consists of 2 each of the following: P/N 152166 (clamp half), P/N 152167 (nut) and P/N 152168 (screw).

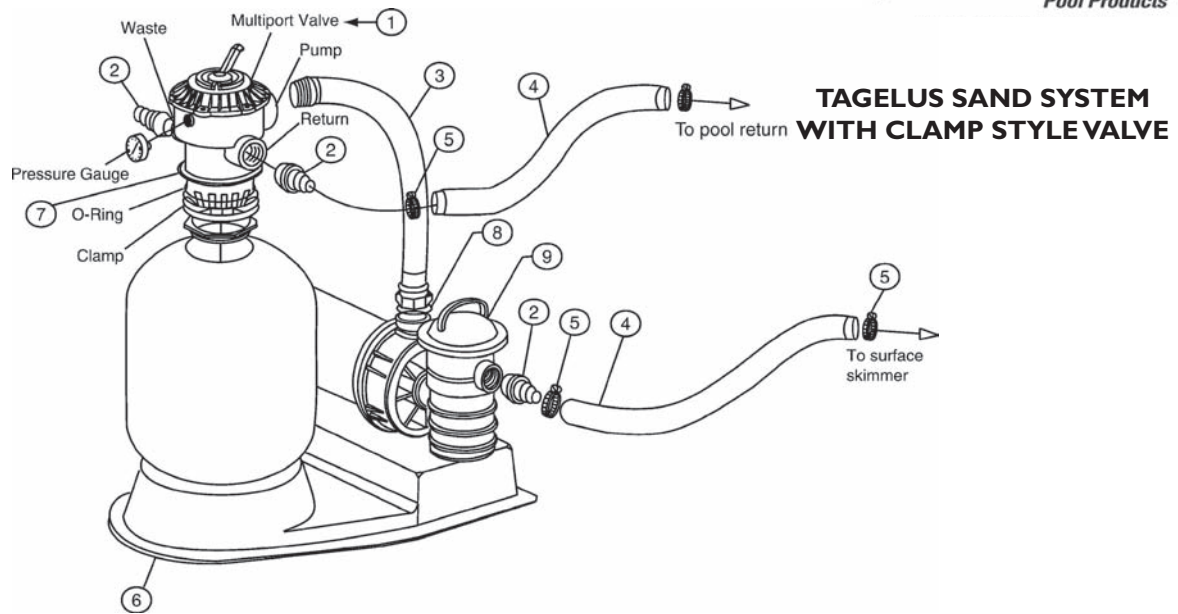
² P/N 152901 (aboveground base) consists of P/N 152900 (base) and 2 each of the following: P/N 155109 (T4 nuts) and P/N 354265 (screw).

³ P/N 192040 O-ring used on tanks manufactured after 1/1/03.

⁴ Manufactured after 10/04.

Tagelus® Filter Systems

Replacement Parts



Item No.	Part No.	Description	US List	Can. List
TAGELUS FILTER SYSTEMS				
1	262506	Valve 1½ in. 6-way clamp style	CALL	CALL
1	261124	Valve 1½ in. 6-way "V" thread-TA ¹	CALL	CALL
1	261130	Valve 1½ in. 6-way btr. thread-TA ²	CALL	CALL
2	711006	Hose adptr. tapered, 3 req.	4.89	5.78
3	155285	PVC hose w/quick connect TA35 & TA35D	CALL	CALL
3	155278	PVC hose w/quick connect TA40 & TA40D	43.97	51.89
3	155283	PVC hose w/quick connect TA50 & TA50D	45.22	53.36
4	155151	Hose, 1½ in. x 6 ft., filter/pump to pool	72.50	85.56
4	155005	Hose, 1½ in. x 12 ft., filter/pump to pool	94.78	111.83
5	711004	Hose clamp 1½ in. wire type, 4 req.	4.42	5.22
6	155223	Base assy.	CALL	CALL
7	152165	Clamp-TAD system	17.22	20.33
8	354571	O-ring	2.44	2.89
9	Dynamo® Pump, see page 551.			
NOT SHOWN				
	155161	Teflon tape	1.83	2.17

¹ For filters manufactured before 12-1-91.

² For filters manufactured after 12-1-91.

Product on page 18.



Waterford™ Filter Systems

Replacement Parts



MODELS

15" Filters:

JSAL15D

JSAL15E

JSALS15E

18" Filters:

JSAL180D

JSAL180E

JSALS180E

JSAL180F

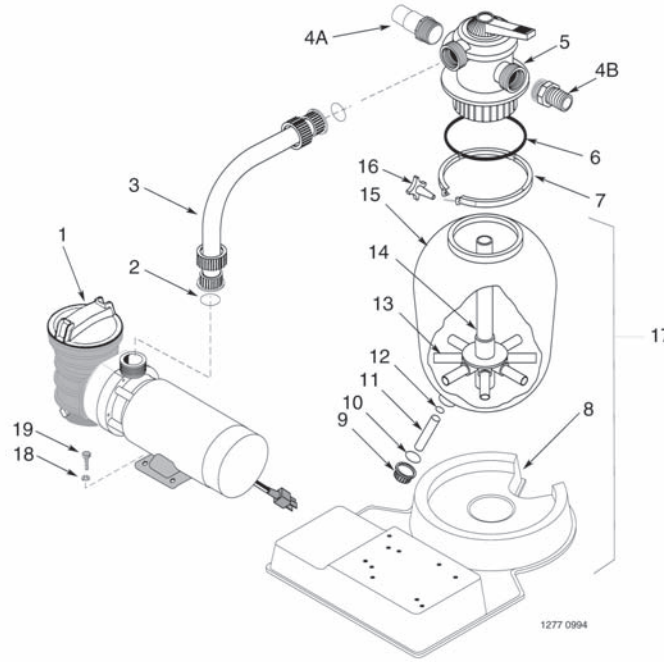
21" Filters:

JSAL210D

JSAL210E

JSAL210F

JSALS210F



Aboveground System Parts - Sand

Item No.	Part No.	Description	US List	Can. List
WATERFORD FILTER SYSTEMS				
1	JWP Series	Pump (Models with -06, -09 suffix)	CALL	CALL
1	JWP Series	Pump (All other suffixes)	CALL	CALL
1	JWP Series	Pump ("ABG" Series) ¹	CALL	CALL
2	U9-226	O-Ring	1.58	1.86
3	24203-0036	Hose Assembly (Includes Item No. 2) - 15" Filter	79.75	94.11
3	24203-0033	Hose Assembly (Includes Item No. 2) - 18" Filter	83.97	99.11
3	24203-0034	Hose Assembly (Includes Item No. 2) - 21" Filter	86.42	101.97
4A	11201-0002	Hose Adapter	3.33	3.92
4B	14962-0012	Sight Glass	6.50	7.67
5	WC112-148	Multiport Valve** (Includes Item Nos. 6, 7 and 16)	CALL	CALL
6	U9-369	O-Ring, Tank Flange	11.97	14.14
7	WC119-87	V-Clamp with Knob	129.17	152.42
8	24201-0055P	Pedestal Platform	CALL	CALL
9	14965-0025	Drain Cap	19.89	23.47
10	U9-371	O-Ring, Drain Cap	2.33	2.75
11	24201-0058	Drain Lateral Tube	5.89	6.94
12	U9-370	O-Ring, Lateral Tube	1.28	1.50
13	24600-0003	Lateral Tube	6.78	8.00
14	24200-0110	Collector Hub Assembly - 15" Filter	72.83	85.92
14	WC137-516P	Collector Hub Assembly - 18" Filter	74.42	87.83

Item No.	Part No.	Description	US List	Can. List
14	WC137-517P	Collector Hub Assembly - 21" Filter	76.72	90.53
15	24200-0100	Tank Assembly - 15" Filter	CALL	CALL
15	24201-0100	Tank Assembly - 18" Filter	CALL	CALL
15	24203-0100	Tank Assembly - 21" Filter	CALL	CALL
16	WC36-22	Clamp Knob	9.31	11.00
17	24200-9100S	Filter Tank Ass'y (Includes Key Nos. 8 thru 15) - 15" Filter	CALL	CALL
17	24201-9100S	Filter Tank Ass'y (Includes Key Nos. 8 thru 15) - 18" Filter	CALL	CALL
17	24203-9100S	Filter Tank Ass'y (Includes Key Nos. 8 thru 15) - 21" Filter	CALL	CALL
18	U43-60SS	Washer 1/4"	0.89	1.03
19	U30-52SS	Screw 1/4-20x3/4" Lg.	0.69	0.81
NOT SHOWN				
	155153	Hose, 1-1/2" x 6' Lg. ²	CALL	CALL
	24201-0043	Sand Shield	10.72	12.64
	32155-4115A	Nameplate Decal- 15" Filter	CALL	CALL
	32155-4115B	Nameplate Decal- 15" Filter	CALL	CALL
	32155-4115C	Nameplate Decal- 15" Filter	CALL	CALL
	32165-4030	Clamp Decal, Warning	CALL	CALL
	32155-4112	Information Decal	CALL	CALL

¹ Model JSALS15E uses an "ABG" series pump.

² Models JSAL15D-59, JSAL180F-05, and JSAL210F-05 do not include 6' hose.

Product on page 20.



Accessories

For Aboveground Systems

We recommend the use of GFCI with all filter systems.

Part No.	Description	US List	Can.
ACCESSORIES			
79137800	3 ft. Standard cord	45.28	53.44
155234	3 ft. cord with twist lock	57.03	67.28
155151	1½ in. x 6 ft. hose kit, (to and from pool)	72.50	85.56
155005	1½ in. x 12 ft. hose kit, (to and from pool)	94.78	111.83
150046	Hose adapter 1½ in. NPT with Chlorinator connector	6.72	7.94
542413	Aboveground wall fitting 1½ THD x 1½ THD-white	CALL	CALL
542414	Aboveground wall fitting 1½ THD x 1½ socket-white	CALL	CALL
98600000	AquaLuminator aboveground light	228.78	269.97
98610002	AquaLuminator aboveground light-(Canada CSA certified)	CALL	CALL
K50600	E-Z Vac Pool Cleaner	CALL	CALL
542090	Sand Vac-empties a sand filter in 10 min for repair, refilling or removal	CALL	CALL
R171016	300 Series Off-Line Chlorinator Feeder	CALL	CALL
98605300	Quasar Non-Return Light	182.53	215.39
79203100	Adapter to connect AquaLuminator to cleaner	44.56	52.58
79100000	Fountain attachment, fits all AquaLuminator models	41.50	48.97
79202900	Hard plumbing adapter	6.42	7.58



Aqua Luminator 98600000



3 ft. Twist Lock cord 155234



6 ft. Hose Kit 155151
12 ft. Hose Kit 155005



Quasar Non-return light for aboveground pools 98605308



300 Series Chlorinator/Feeder R171016



Sand Vac 542090



Hard Plumbing Adapter



Pressure Cleaner Adapter



Fountain Attachment